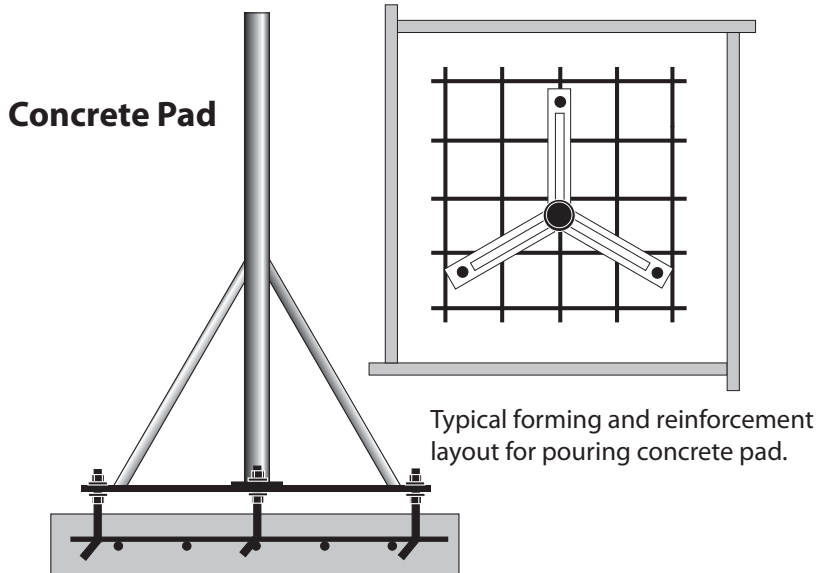


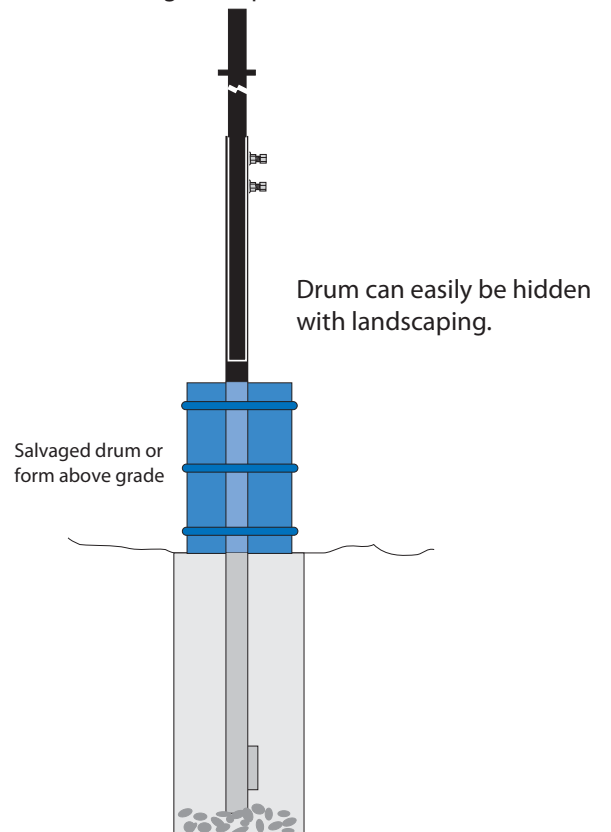
Dish Mounting Supports You Can Build Yourself



Telescopic High Lift Ground Pole Installation

Elevates dish up to 10' 6" above ground
(Max. dish size: 12' mesh)

Use either ground pier or slab foundation.



Hi-Lift Telescopic Tripod

Elevates pole up to 12' 6" above ground
Use either Ground Pier or Slab Foundation

