

Your New DMT 1050 MPEG-2 Receiver

What is MPEG-2?

MPEG-2 is the next satellite TV adventure that many longtime C-band enthusiasts are embracing. Like early C-band, MPEG-2 is an array of programming you can see nowhere else. And best of all, MPEG-2 programming is totally free.

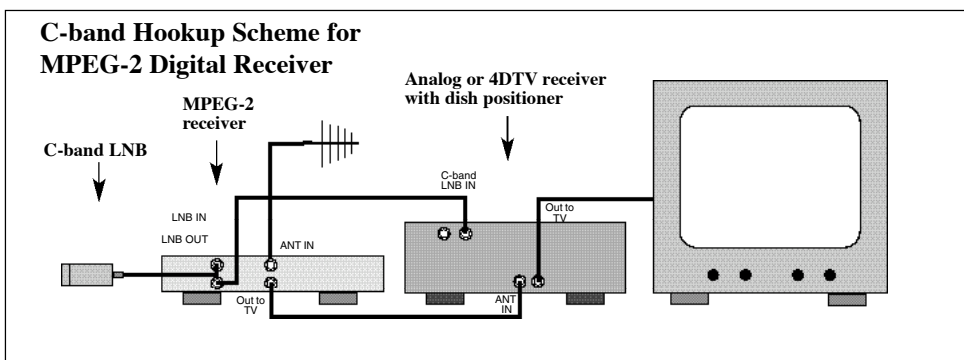
MPEG-2 signals are constantly changing. You might tune into a channel that was vacant yesterday and find feeds of popular major drama or comedy television series, sports, international programming and more. Channels that are here today may not be around tomorrow; or they might be on a different frequency. To make the most of what MPEG-2 has to offer, be sure to watch for these changes. To find the latest free-to-air offerings (including Transponder Frequencies, Symbol Rates and Polarity), go to the Resource Page on Skyvision's web site, <http://www.skyvision.com>.

How do I connect my MPEG-2 receiver?

Not all satellite receivers are exactly the same. However, the hookup diagrams should give you enough information to integrate your new MPEG-2 receiver into your existing system.

For a system with a C-band LNB only:

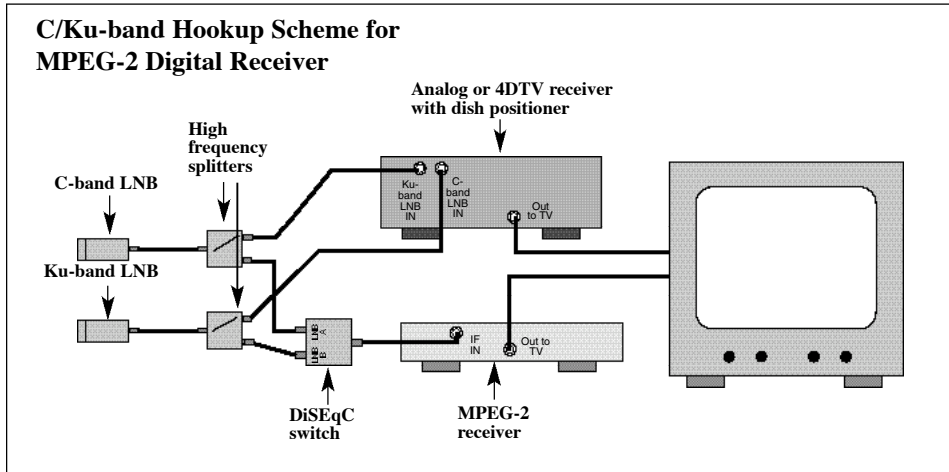
Connect the coax from your C-band LNB to the **LNB IN** input on your MPEG-2 receiver. Connect a coax cable from the **LNB OUT** output on the MPEG-2 receiver to the **C - B A N D LNB IN** input on your analog or 4DTV receiver. Run a coax from **OUT TO TV** to your analog or 4DTV receiver, **ANTENNA IN**. If your TV has another coaxial or A/V input, you can use these instead of the coaxial to the **ANTENNA IN**.



NOTE: If you have a 4DTV Sidecar, see the Skyvision insert, *Connecting Your 4DTV Digital Sidecar*, for connection instructions. Even in a system that includes an MPEG-2 receiver, the C- and Ku-band LNBs loop through the Sidecar as described in that insert.

- over -

C/Ku-band Hookup Scheme for MPEG-2 Digital Receiver



NOTE: If you have an analog receiver with only one LNB input and you have a C- and Ku-band LNB, you will need to place a C/Ku Switch between the LNBs (or the high frequency splitters) and the analog receiver.

For a system with C-band and Ku-band LNBs:

- 1) Use high-frequency splitters to split the incoming C- and Ku-band LNB signals. Be sure to hook the coax from your analog or 4DTV receiver to the output marked with the diagonal line (indicating passive one-way voltage flow) on each high-frequency splitter. Connect the coax from each splitter to the correct LNB input on the analog or 4DTV receiver (Ku-band splitter to Ku-band LNB IN and C-band splitter to C-band LNB IN).
- 2) Connect the other output on the high-frequency splitters to the A and B inputs on the DiSEqC switch, which will combine the C- and Ku-band signals and feed them to the MPEG-2 receiver through the LNB IN input.
- 3) If your television has more than one coaxial or A/V input, connect the MPEG-2 receiver to one of the inputs and your analog or 4DTV receiver to the other (both receivers will have a connector labeled **OUT TO TV**). If your television has one input, run a coaxial cable from the **OUT TO TV** connector on the MPEG-2 receiver to the **ANT IN** input on your analog or 4DTV receiver. Run a coaxial cable from **OUT TO TV** on the analog or 4DTV receiver to the input on your television. If you are using a rooftop antenna, hook that to the MPEG receiver on Antenna IN.

How do I program my DMT 1050 MPEG-2 receiver?

1. Move your dish to Galaxy 7 (Galaxy 11).
2. When you turn on the DMT for the first time the Installation Wizard comes up on your screen. You won't use this screen initially. Press the **Exit** button on the remote to exit this menu. Highlight **OK** (using arrow buttons) and press **OK**.
3. The Main Page comes up on your screen. Highlight **User Installation** (using arrow buttons) and press **OK**.
4. Highlight **Channel Search** and press **OK**. Use the < > arrows to move the antenna to Number 9 which should be Galaxy 7 (G11).
5. Highlight **Search Sat** and press **OK**. The DMT will search the satellite looking for programs. If it finds programs, it will add them to the TV and Radio boxes on your screen. Press **OK** to go back to the Channel Search page.
6. Tune to the next adjacent channel (ie. if you are on channel 9, tune to channel 10) on your analog receiver and search the satellite again. You are doing this to search the opposite polarity.
7. To watch programs that were found, press the **Exit** button and continue to press Exit until you are out of the menus. Use the up/down arrow buttons to scroll through the channels.

How do I program my DMT 1050 MPEG-2 receiver if I use a DiSEqC switch?

1. Using Telstar 5 as an example, move your dish to Telstar 5.
2. When you turn on the DMT for the first time, the Installation Wizard comes up on the TV screen. You won't use this screen initially. Press the Exit button on the remote to exit this menu. Highlight **OK** (using the arrow buttons) and press the **OK/List** button.
3. When the Main Page comes up on your screen, highlight **User Installation** using the arrow buttons and press **OK**.
4. Highlight **Antenna Setup** and press **OK**. Highlight **Satellite** and using the < > arrows select Telstar 5 T5.
5. Highlight **DiSEqC** and select **Port B** for C-band. Highlight **Antenna** and select number **2**.
6. Highlight **Satellite** and select Telstar 5 L5, then highlight **Univ. LNB** and select **Yes**.
7. Highlight **DiSEqC** and select **Port A** for Ku-band. Press **Exit**, highlight and press **OK**.
8. Highlight **Channel Search** and press **OK**. Select Antenna 1 or 2 and highlight **Search Sat** then press **OK**. The DMT will search the satellite looking for programs. If it finds programs it will add them to the TV and Radio boxes on your screen. Press **OK** to go back to the Channel Search Page.
9. Follow step 6 from "How do I program my DMT 1050 MPEG-2 receiver?" from above.

