

Your New Pansat 250SM MPEG-2 Receiver

What is MPEG-2?

MPEG-2 is the next satellite TV adventure that many longtime C-band enthusiasts are embracing. Like early C-band, MPEG-2 is an array of programming you can see nowhere else. And best of all, MPEG-2 programming is totally free.

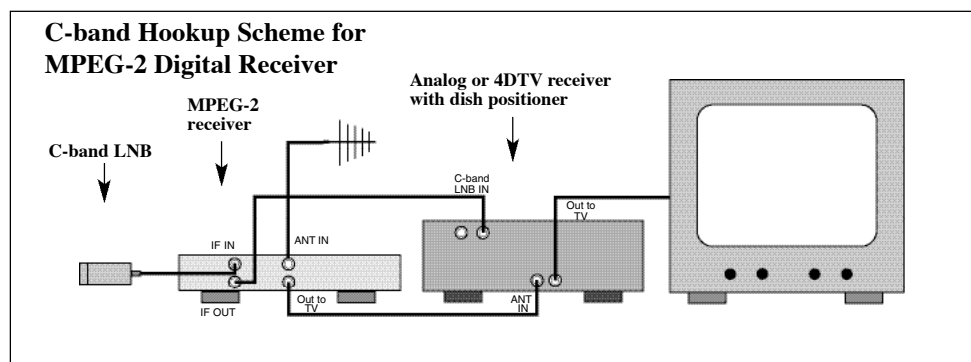
MPEG-2 signals are constantly changing. You might tune into a channel that was vacant yesterday and find feeds of popular major drama or comedy television series, sports, international programming and more. Channels that are here today may not be around tomorrow; or they might be on a different frequency. To make the most of what MPEG-2 has to offer, be sure to watch for these changes. To find the latest free-to-air offerings (including Transponder Frequencies, Symbol Rates and Polarity), go to the Resource Page on Skyvision's web site, <http://www.skyvision.com>.

How do I connect my MPEG-2 receiver?

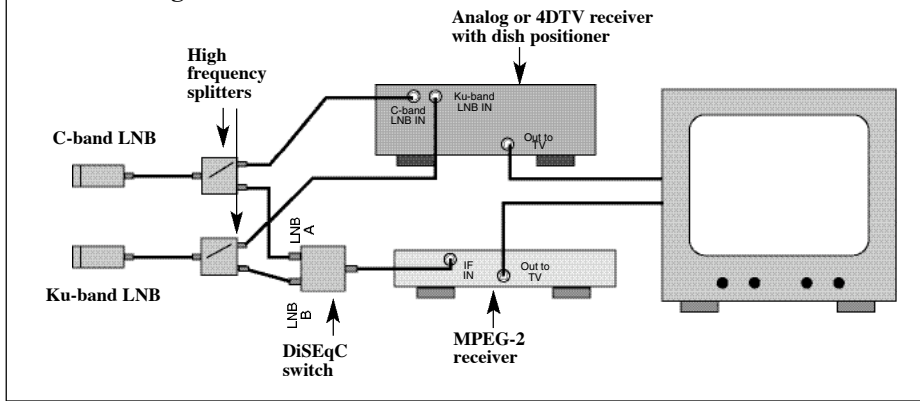
Not all satellite receivers are exactly the same. However, the hookup diagrams should give you enough information to integrate your new MPEG-2 receiver into your existing system.

For a system with a C-band LNB only:

Connect the coax from your C-band LNB to the **IF IN** input on your MPEG-2 receiver. Connect a coax cable from the **IF OUT** output on the MPEG-2 receiver to the **C - B A N D LNB IN** input on your analog or 4DTV receiver. Run a coax from **OUT TO TV** to your analog or 4DTV receiver, **ANTENNA IN**. If your TV has another coaxial or A/V input, you can use these instead of the coaxial to the **ANTENNA IN**.



C/Ku-band Hookup Scheme for MPEG-2 Digital Receiver



NOTE: If you have an analog receiver with only one LNB input and you have a C- and Ku-band LNB, you will need to place a C/Ku Switch between the LNBs (or the high frequency splitters) and the analog receiver.

For a system with C-band and Ku-band LNBs:

- 1) Use high-frequency splitters to split the incoming C- and Ku-band LNB signals. Be sure to hook the coax from your analog or 4DTV receiver to the output marked with the diagonal line (indicating passive one-way voltage flow) on each high-frequency splitter. Connect the coax from each splitter to the correct LNB input on the analog or 4DTV receiver (Ku-band splitter to Ku-band **L N B I N** and C-band splitter to C-band **L N B I N**).
- 2) Connect the other output on the high-frequency splitters to the A and B inputs on the DiSEqC switch, which will combine the C- and Ku-band signals and feed them to the MPEG-2 receiver through the **LNB IN** input.
- 3) If your television has more than one coaxial or A/V input, connect the MPEG-2 receiver to one of the inputs and your analog or 4DTV receiver to the other (both receivers will have a connector labeled **O U T TO TV**). If your television has one input, run a coaxial cable from the **O U T TO TV** connector on the MPEG-2 receiver to the **A N T I N** input on your analog or 4DTV receiver. Run a coaxial cable from **O U T TO TV** on the analog or 4DTV receiver to the input on your television.

How do I program my Pansat 3500S MPEG-2 receiver?

- Press “Menu”
- “Installation” will appear on the screen, highlighted; press “OK”
- Password will appear. Enter “0000”; press “OK”
- “Antenna Setup” will appear on the screen, highlighted; press “OK”
- Arrow down the satellite list, pressing “OK” on each satellite you want to program; check marks will appear next to all the satellites you have selected.
- Press “Exit”
- Arrow down to “Satellite Scan”. Press “OK” on satellite to scan.
- Allow the 3500S to scan until “Progress” is 100%
- Repeat “Satellite Scan” on one odd channel and one vertical channel to scan each polarity
- If no channels are collected, you will need to adjust your satellite dish with your analog IRD and try again.
- Channels that are collected will show up in yellow on “TV Programs” or “Radio Programs”

How do I set up the DiSEqC switch?

- Select “Installation”
- Select “Antenna Setup”
- Select “Satellite”
- Select “DiSEqC” (#1 for Ku-band; #2 for C-band)

- over -



How do I set up Smart Search on my Pansat 250SM MPEG-2 Receiver?

- Press “**Menu**”
- “**Installation**” will appear on the screen, highlighted; press “**OK**”
- “**Antenna Setup**” will appear on the screen, highlighted; press “**OK**”
- Arrow down to each individual satellite and press “**OK**” on each satellite you wish to scan.
- Press “**Exit**”. When asked to save, press “**OK**”.
- Press “**Exit**” to return to the Installation screen.

Smart Scan

- Arrow down to “**Smart Search**” and press “**OK**”.
- Using the arrows, select the desired satellite to scan.
- Use the down arrow to select “**Polarity**”^{*} and select “**All**”. Press “**OK**”.
- Use the down arrow to select “**Scan**”. Select “**FTA only**”; press “**OK**”.
- Allow Pansat to scan and save collected channels into your system. This will take up to 10 minutes.

Press “Exit” and repeat the “Smart Scan” steps to collect the opposite polarity channels. Example: If your analog satellite receiver is on Channel 1, change it to Channel 2 to scan the opposite polarity.

^{*}If you know the correct polarity of the channel you are on, you may select either “**Horizontal**” or “**Vertical**” in the **Polarity** field. This will speed up the scanning process.

