

# Your New Pansat 5000HC MPEG-2 Receiver

## What is MPEG-2?

**M**PEG-2 is the next satellite TV adventure that many longtime C-band enthusiasts are embracing. Like early C-band, MPEG-2 is an array of programming you can see nowhere else. And best of all, MPEG-2 programming is totally free.

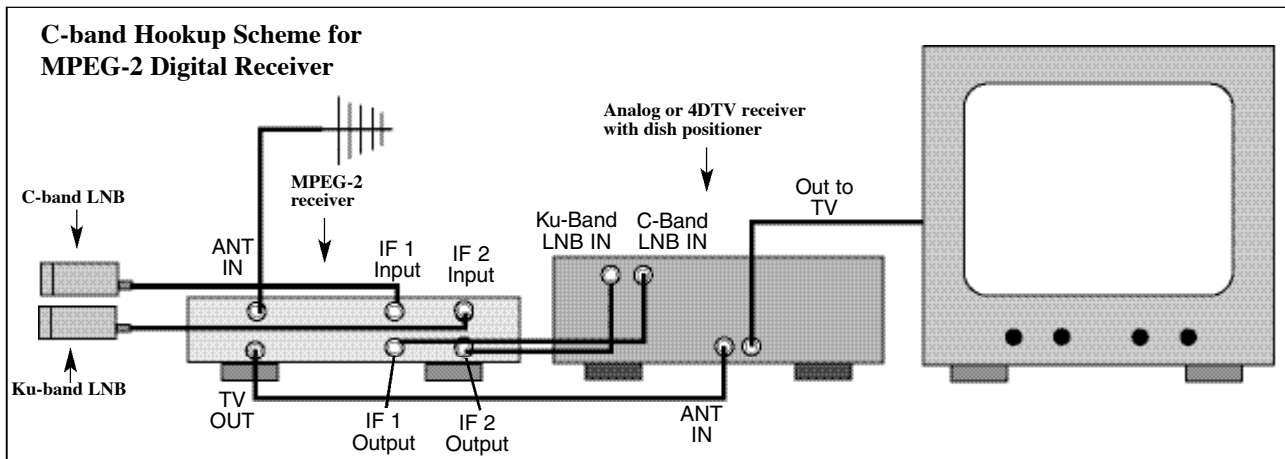
MPEG-2 signals are constantly changing. You might tune into a channel that was vacant yesterday and find feeds of popular major drama or comedy television series, sports, international programming and more. Channels that are here today may not be around tomorrow; or they might be on a different frequency. To make the most of what MPEG-2 has to offer, be sure to watch for these changes. To find the latest free-to-air offerings (including Transponder Frequencies, Symbol Rates and Polarity), go to the Resource Page on Skyvision's web site, <http://www.skyvision.com>.

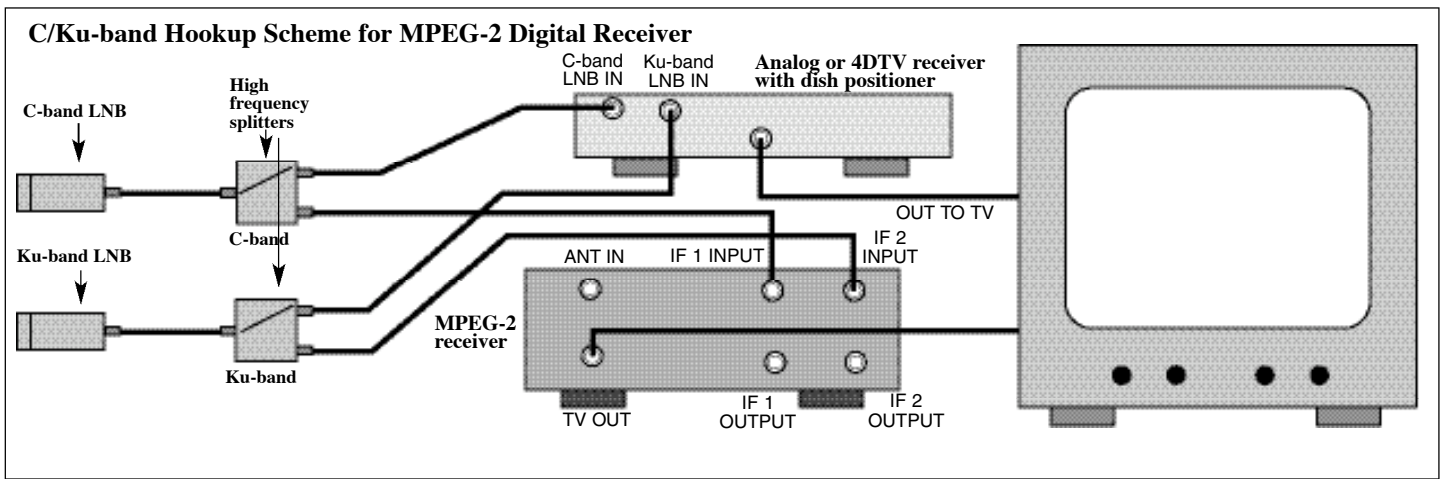
## How do I connect my MPEG-2 receiver?

**N**ot all satellite receivers are exactly the same. However, the hookup diagrams should give you enough information to integrate your new MPEG-2 receiver into your existing system.

### For a system with a C-band LNB only:

Connect the coax from your C-band LNB to the **IF 1 Input** on your MPEG-2 receiver. Connect a coax cable from the **IF 1 Output** on the MPEG-2 receiver to the **C - B A N D LNB IN** input on your analog or 4DTV receiver. Run a coax from **TV OUT** to your analog or 4DTV receiver, **ANTENNA IN**. If your TV has another coaxial or A/V input, you can use these instead of the coaxial to the **ANTENNA IN**.





**NOTE:** If you have an analog receiver with only one LNB input and you have a C- and Ku-band LNB, you will need to place a C/Ku Switch between the LNBs (or the high frequency splitters) and the analog receiver.

### For a system with C-band and Ku-band LNBs:

- 1) Use high-frequency splitters to split the incoming C- and Ku-band LNB signals. Be sure to hook the coax from your analog or 4DTV receiver to the output marked with the diagonal line (indicating passive one-way voltage flow) on each high-frequency splitter. Connect the coax from each splitter to the correct LNB input on the analog or 4DTV receiver (Ku-band splitter to Ku-band LNB IN and C-band splitter to C-band LNB IN).
- 2) Connect the other output on the high-frequency splitters to the Pansat 5000HC. Hook up the C-band to **IF Input 1** and the Ku-band LNB to **IF Input 2**.
- 3) If your television has more than one coaxial or A/V input, connect the MPEG-2 receiver to one of the inputs and your analog or 4DTV receiver to the other (both receivers will have a connector labeled **OUT TO TV**). **NOTE: IF YOUR TELEVISION HAS ONE INPUT, RUN A COAXIAL CABLE FROM THE TV OUT CONNECTOR ON THE MPEG-2 RECEIVER TO THE ANT IN INPUT ON YOUR ANALOG OR 4DTV RECEIVER.** Run a coaxial cable from **OUT TO TV** on the analog or 4DTV receiver to the input on your television. Use the “Source” button on your 4DTV to select between the two sources.

### How do I program my Pansat 5000HC MPEG-2 receiver?

- Press “OK” on appropriate language.
- Press “OK” on “Installation”
- Press “OK” on “Antenna Setup”
- Press “OK” on “Satellite”
- Using the **Up** and **Down** arrows, press “OK” on the satellite you wish to program
- Use **Down** arrow to select “Tuner Select”
- Use **Right** arrow to select “1” for C-band or “2” for Ku-band
- Use **Down** arrow to select “Satellite Scan”
- Use **Right** arrow to select “FTA”
- Press “OK” to scan

## How do I set up Smart Search on my Pansat 5000HC MPEG-2 receiver?

- Press **“Menu”**
  - Press **“OK”** on **“Installation Menu”**
  - Press **“OK”** on **“Antenna Setup”**
  - Press **“OK”** on **“Satellite”**
  - Press **“OK”** on the appropriate satellite you wish to scan
  - Press **“Exit”** on the remote
  - Use **Down arrow** to select **“Scan Mode”**
  - Use **Right arrow** to select **“FTA”**
  - Use **Down arrow** to select **“OK”** on **“Smart Search”**
  - Click **“OK”** on appropriate satellite to scan
  - Use **Down arrow** to select **“Tuner Select”**, then select **“OK”** on **“1”** for **C-band** or **“2”** for **Ku-band**
  - Click **“OK”** on **“Scan”**
  - Once Scan is done, press **“Exit”** and repeat the Smart Scan steps to collect the opposite polarity channels.  
Example: If your analog satellite receiver is on Channel 1, change to channel 2 to scan the opposite polarity.
- \* If you know the correct polarity of the channel you are on, you may select either **“Horizontal”** or **“Vertical”** in the **Polarity** field. This will speed up the scanning process.