

Your New Pansat 9200HD MPEG-2/MPEG-4/HD Receiver

What is MPEG?

MPEG is the next satellite TV adventure that many longtime C-band enthusiasts are embracing. Like early C-band, MPEG is an array of programming you can see nowhere else. And best of all, MPEG programming is totally free.

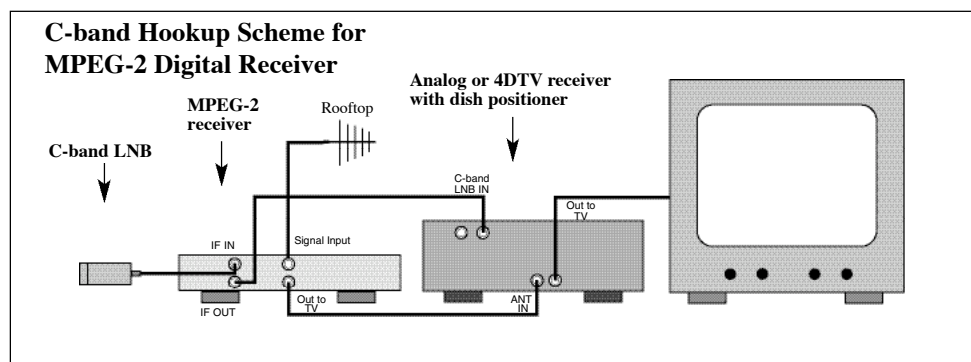
MPEG signals are constantly changing. You might tune into a channel that was vacant yesterday and find feeds of popular major drama or comedy television series, sports, international programming and more. Channels that are here today may not be around tomorrow; or they might be on a different frequency. To make the most of what MPEG has to offer, be sure to watch for these changes. To find the latest free-to-air offerings (including Transponder Frequencies, Symbol Rates and Polarity), go to the Tech Support Page on Skyvision's web site, <http://www.skyvision.com>.

How do I connect my MPEG receiver?

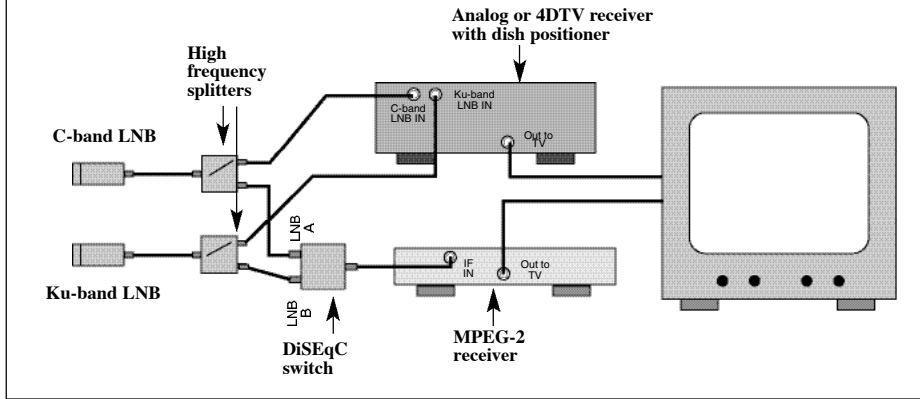
Not all satellite receivers are exactly the same. However, the hookup diagrams should give you enough information to integrate your new MPEG receiver into your existing system.

For a system with a C-band LNB only:

Connect the coax from your C-band LNB to the **IF IN** input on your MPEG-2 receiver. Connect a coax cable from the **IF OUT** output on the MPEG-2 receiver to the **C-BAND LNB IN** input on your analog or 4DTV receiver. Run a coax from **OUT TO TV** to your analog or 4DTV receiver, **ANTENNA IN**. If your TV has another coaxial or A/V input, you can use these instead of the coaxial to the **ANTENNA IN**.



C/Ku-band Hookup Scheme for MPEG-2 Digital Receiver



NOTE: If you have an analog receiver with only one LNB input and you have a C- and Ku-band LNB, you will need to place a C/Ku Switch between the LNBs (or the high frequency splitters) and the analog receiver.

For a system with C-band and Ku-band LNBs:

- 1) Use high-frequency splitters to split the incoming C- and Ku-band LNB signals. Be sure to hook the coax from your analog or 4DTV receiver to the output marked with the diagonal line (indicating passive one-way voltage flow) on each high-frequency splitter. Connect the coax from each splitter to the correct LNB input on the analog or 4DTV receiver (Ku-band splitter to Ku-band **L N B I N** and C-band splitter to C-band **L N B I N**).
- 2) Connect the other output on the high-frequency splitters to the A and B inputs on the DiSEqC switch, which will combine the C- and Ku-band signals and feed them to the MPEG-2 receiver through the **LNB I N** input.
- 3) If your television has more than one coaxial or A/V input, connect the MPEG-2 receiver to one of the inputs and your analog or 4DTV receiver to the other (both receivers will have a connector labeled **O U T TO TV**). If your television has one input, run a coaxial cable from the **O U T TO TV** connector on the MPEG-2 receiver to the **A N T I N** input on your analog or 4DTV receiver. Run a coaxial cable from **O U T TO TV** on the analog or 4DTV receiver to the input on your television.

How do I program my Pansat 9200HD MPEG-2/MPEG-4/HD receiver?

- Press “Menu”. “Installation” will appear on the screen, highlighted; press “OK”
- When prompted for a password, enter “0000”
- “Satellite Setup” will appear on the screen, highlighted; press “OK”
- Press “OK” on **Antenna Setup**
- Arrow down the satellite list, pressing the right arrow key on each satellite you want to program; check marks will appear next to all the satellites you have selected.
- Press “Exit”
- Arrow down to “Smart Scan”, press “OK”.
- Highlight the satellite you wish to scan, press “OK” and allow to scan to 100%
- Repeat “Smart Scan” on one odd channel and one even channel to scan each polarity
- If no channels are collected, you will need to adjust your satellite dish with your analog IRD and try again.
- Channels that are collected will show up in yellow on “TV Programs” or “Radio Programs”

How do I set up the DiSEqC switch?

- Select “Installation”
- Select “Antenna Setup”
- Select “Satellite”
- Select “DiSEqC” (#1 for Ku-band; #2 for C-band)
- Press “Exit” then “OK” to save.

Terrestrial (Over-The-Air) Channel Scan

- Press “Menu”. “Installation” will appear; press “OK”.
- Enter password “0000”.
- Highlight “Terrestrial Setup” and press “OK”.
- Highlight “Automatic Scan” and press “OK”.
- Allow to scan 100%.
- Press “Exit” to save.

